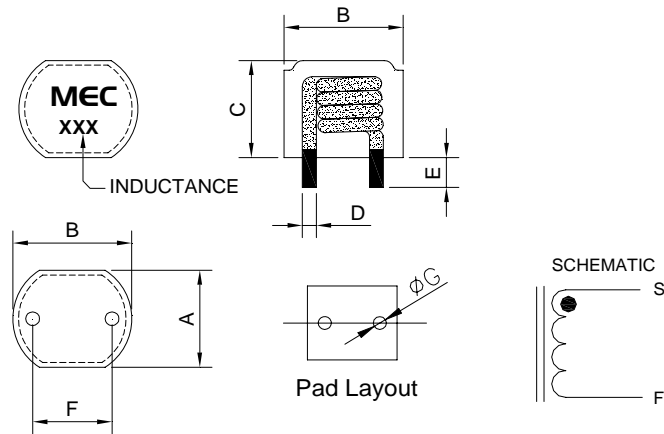


## Electrical characteristics

	L0 Inductance μH ± 20% @ 0A	DCR (mΩ) (Typical) ( Max)		Saturation Current ( Typ)	Temperature Rise Current ( Typ)
MDI121007N-R22M	0.2	0.5	0.6	56.0	36.0
MDI121008N-R33M	0.3	0.7	0.8	48.0	31.0
MDI121008N-R39M	0.4	0.7	0.8	43.0	31.0
MDI121010N-R47M	0.5	0.9	1.0	40.0	28.0
MDI121010N-R56M	0.6	0.9	1.0	38.0	28.0
MDI121010N-R68M	0.7	0.9	1.0	36.0	28.0
MDI121010N-R80M	0.8	1.3	1.5	34.0	24.0
MDI121010N-1R0M	1.0	1.8	2.0	32.0	20.0
MDI121010N-1R5M	1.5	3.0	3.5	30.0	16.0
MDI121010N-2R2M	2.2	4.3	5.0	24.0	13.6
MDI121010N-2R8M	2.8	5.6	6.4	20.0	12.3
MDI121010N-3R3M	3.3	6.8	7.7	16.0	11.2
MDI121010N-4R7M	4.7	8.8	10	15	10.0



**MDI1210系列尺寸圖**

	A(mm)	B(mm)	C(mm)	D(mm)	E(mm)	F(mm)	ØG(mm)
MDI121007N-R22M	10.2 ± 0.5	12.3 ± 0.5	7.5(Max)	1.4±0.25	3.4 ± 0.5	8.0 ± 0.5	1.9
MDI121008N-R33M	10.2 ± 0.5	12.3 ± 0.5	8.6(Max)	1.4±0.25	3.4 ± 0.5	8.0 ± 0.5	1.9
MDI121008N-R39M	10.2 ± 0.5	12.3 ± 0.5	8.6(Max)	1.4±0.25	3.4 ± 0.5	8.0 ± 0.5	1.9
MDI121010N-R47M	10.2 ± 0.5	12.3 ± 0.5	10(Max)	1.5±0.25	3.4 ± 0.5	8.0 ± 0.5	2.0
MDI121010N-R56M	10.2 ± 0.5	12.3 ± 0.5	10(Max)	1.5±0.25	3.4 ± 0.5	8.0 ± 0.5	2.0
MDI121010N-R68M	10.2 ± 0.5	12.3 ± 0.5	10(Max)	1.5±0.25	3.4 ± 0.5	8.0 ± 0.5	2.0
MDI121010N-R80M	10.2 ± 0.5	12.3 ± 0.5	10(Max)	1.4±0.25	3.4 ± 0.5	8.0 ± 0.5	1.9
MDI121010N-1R0M	10.2 ± 0.5	12.3 ± 0.5	10(Max)	1.2±0.25	3.4 ± 0.5	8.0 ± 0.5	1.7
MDI121010N-1R5M	10.2 ± 0.5	12.3 ± 0.5	10(Max)	1.0±0.25	3.4 ± 0.5	8.0 ± 0.5	1.5
MDI121010N-2R2M	10.2 ± 0.5	12.3 ± 0.5	10(Max)	1.0±0.25	3.4 ± 0.5	8.0 ± 0.5	1.5
MDI121010N-2R8M	10.2 ± 0.5	12.3 ± 0.5	10(Max)	0.9±0.25	3.4 ± 0.5	8.0 ± 0.5	1.4
MDI121010N-3R3M	10.2 ± 0.5	12.3 ± 0.5	10(Max)	0.8±0.25	3.4 ± 0.5	8.0 ± 0.5	1.3
MDI121010N-4R7M	10.2 ± 0.5	12.3 ± 0.5	10(Max)	0.8±0.25	3.4 ± 0.5	8.0 ± 0.5	1.3