

### FEATURES

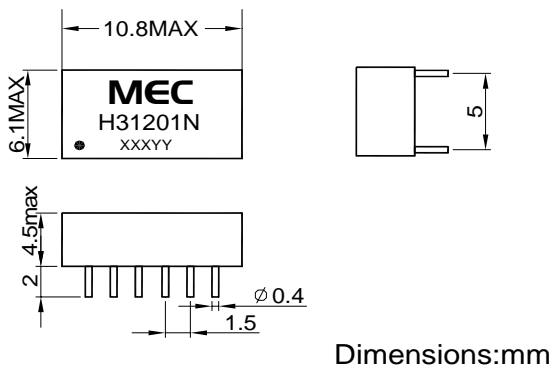
- IEEE 802.3 Ethernet Compatible
- Primary Inductance 350 $\mu$ H Min with 8mA DC Bias
- Isolation Voltage : 1500 Vrms



Part Number	Turns Ratio Pri:Sec( $\pm$ 3%)		Insertion Loss (dB MAX)	Return Loss (dB TYP)			Crosstalk (dB TYP)			Differential to Common Mode Rejection (dB TYP)			Common to common Rejection Ratio (dB TYP)
	TX	RX		30 MHz	60 MHz	80 MHz	30 MHz	60 MHz	100 MHz	30 MHz	60 MHz	100 MHz	
H31201N	1:1	1:1	-1.00	-16	-14	-10	-45	-40	-38	-42	-38	-30	-40
H31202N	1:1	1:1	-1.20	-15	-13	-10	-40	-38	-35	-45	-40	-35	-30
H31204N	1:1	1:1	-1.20	-15	-13	-10	-40	-35	-30	-45	-38	-35	-30
H31206N	1:1	1:1	-1.10	-18	-13	-11	-45	-40	-35	-40	-35	-30	-35
H31208N	1:1	1:1	-1.20	-15	-13	-11	-45	-40	-35	-42	-38	-35	-30
H31209N	1:1	1:1	-1.10	-18	-13	-11	-45	-40	-35	-40	-35	-30	-35
H31212N	1:1	1:1	-1.15	-16	-13	-10	-45	-40	-38	-42	-40	-35	-30

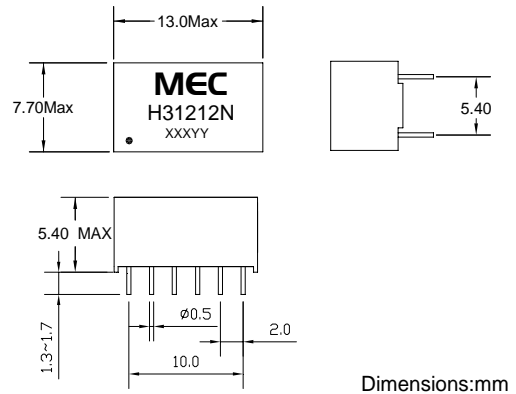
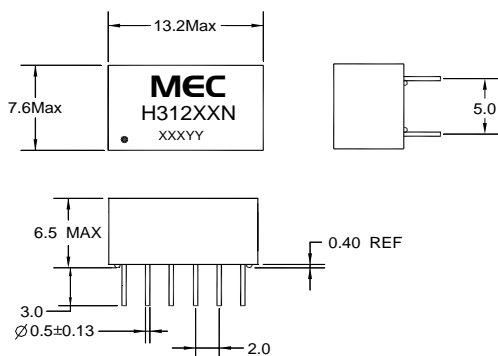
- Electrical Specifications @25 $^{\circ}$ C-Operating Temperature 0 $^{\circ}$ C to 70 $^{\circ}$ C.

### Mechanicals



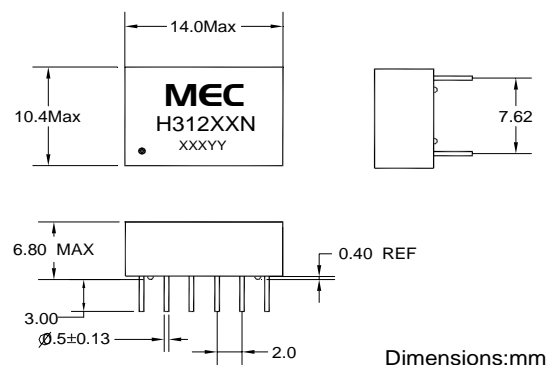
Unless otherwise specified , all tolerances  $\pm$  0.25

#### H31204N 、 H31206N 、 H31209N



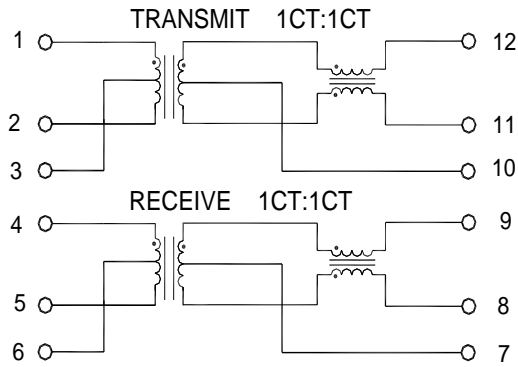
Unless otherwise specified , all tolerances  $\pm$  0.25

#### H31202N 、 H31208N

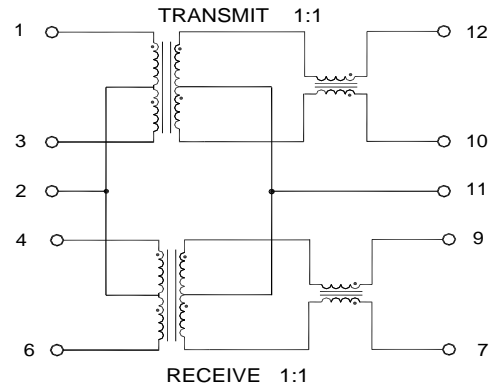


### Schematics

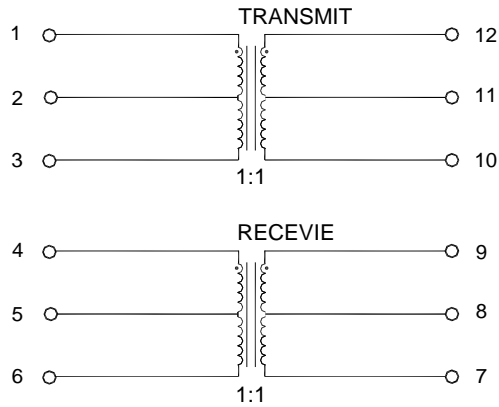
**H31201N**



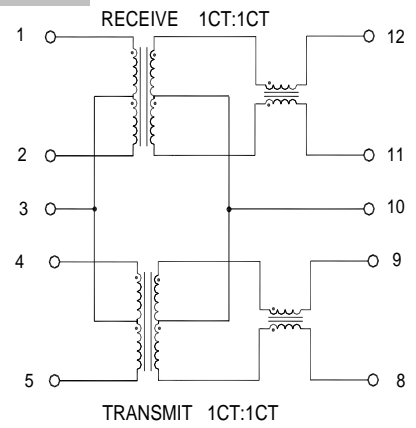
**H31202N**



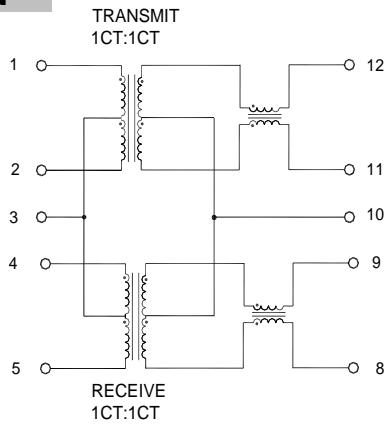
**H31204N**



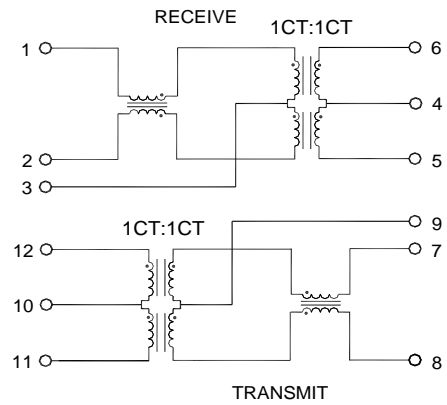
**H31206N**



**H31208N**



**H31209N**



**H31212N**

