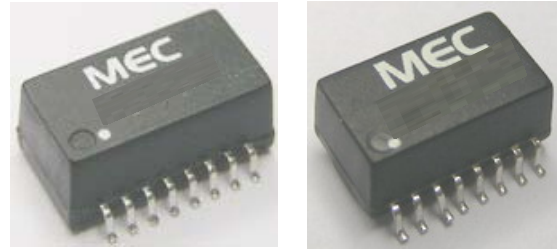


FEATURES

- Meets IEEE 802.3 and ANSI X3.263 standards, Including 350 uH OCL with 8 mA Bias
- Designed for reflow soldering at temperatures Up to 255-265°C
- Improved common mode (EMI) performance
- Isolation voltage:1500 Vrms

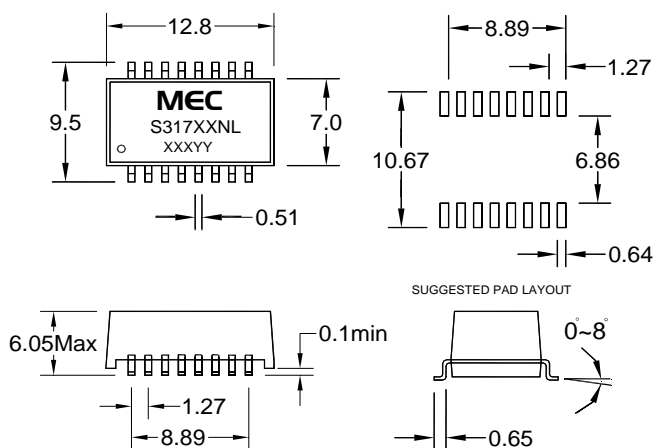


Part Number	Turns Ratio Pri:Sec(± 3%)		Insertion Loss (dB MAX)	Return Loss (dB TYP)			Crosstalk (dB TYP)			Differential to Common Mode Rejection (dB TYP)			Common to common Rejection Ratio (dB TYP)
	TX	RX		30 MHz	60 MHz	80 MHz	30 MHz	60 MHz	100 MHz	30 MHz	60 MHz	100 MHz	
S31747NL	1:1	1:1	-1.10	-18	-13	-12	-45	-40	-35	-42	-37	-33	-30
S31755NL	1:1	1:1	-1.15	-18	-13.6	-12	-45	-45	-35	-40	-35	-30	-30
S31758NL	1:1	1:1	-1.10	-18	-13	-12	-45	-40	-38	-42	-37	-33	-30
S31759NL	1:1	1:1	-1.15	-18	-14	-12	-40	-35	-30	-40	-35	-30	-30
S31760NL	1:1	1:1	-1.00	-18	-14.5	-12	-45	-45	-35	-40	-35	-30	-30
S31762NL	1:1	1:1	-1.15	-18	-14	-12	-45	-45	-35	-40	-35	-30	-30
S31763NL	1:1	1:1	-1.20	-16	-14	-12	-45	-45	-35	-40	-35	-30	-30
S31764NL	1:1	1:1	-1.00	-18	-14.5	-12	-45	-45	-35	-40	-35	-30	-30
S31781NL	1:1	1:2.5	-1.20	-16	-14	-12	-45	-45	-35	-40	-35	-30	-30
S31784NL	1:1	1:1	-1.10	-16	-10	-10	-35	-30	-30	-40	-35	-30	-30
S31790NL	1:1	1:1	-1.20	-16	-14	-12	-45	-40	-35	-43	-37	-33	-30
S31798NL	1:1	1:1	-1.10	-20	-14	-11.5	-45	-40	-35	-42	-37	-33	-30
S317103NL	1:1	1:1		-18	-12	-12			-38				-40
S317110NL	1:1	1:1	-1.00	-18	-12	-12	-45	-40	-33				-33

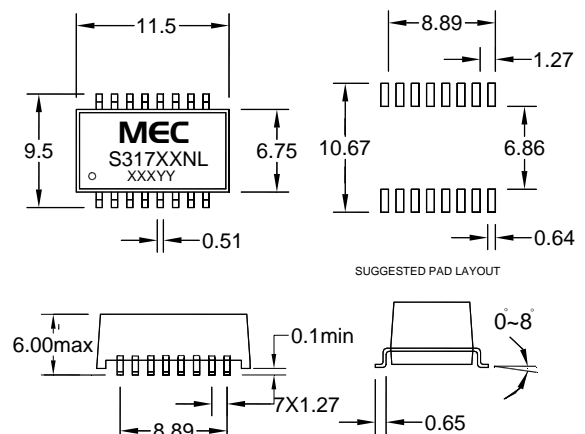
- Electrical Specifications @25°C -Operating Temperature 0°C to 70°C.

Mechanicals

S31747NL、S31755NL、S31764NL、S31784NL、S31790NL
S317103NL、S317110NL



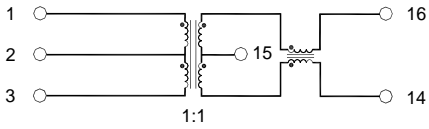
S31758NL、S31759NL、S31760NL、S31762NL
S31798NL、S31763NL、S31781NL



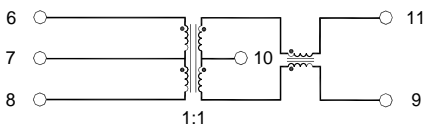
Schematics

S31747NL

TRANSMIT

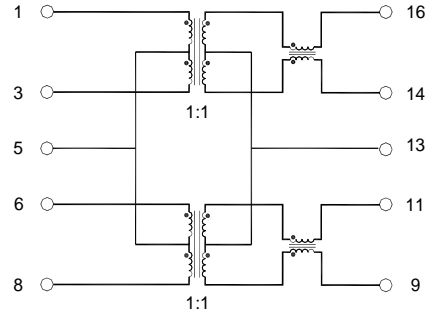


RECEIVE



S31755NL

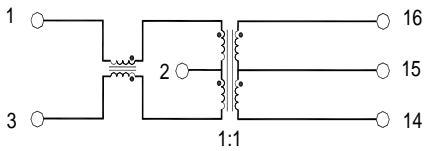
TRANSMIT



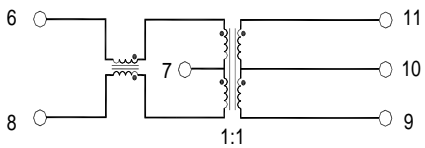
RECEIVE

S31758NL

TRANSMIT

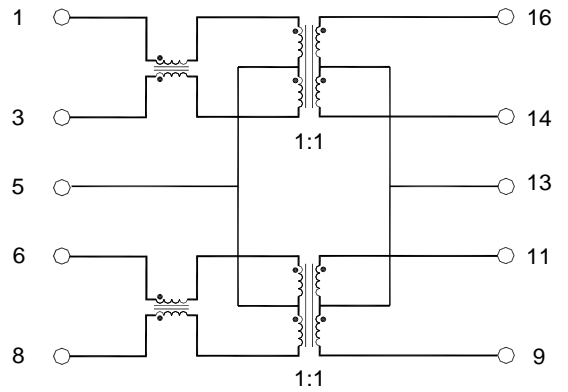


RECEIVE



S31759NL

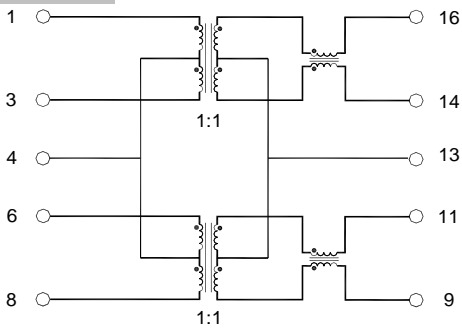
TRANSMIT



RECEIVE

S31760NL

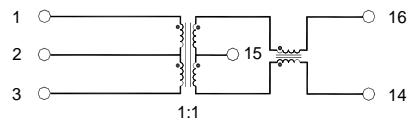
TRANSMIT



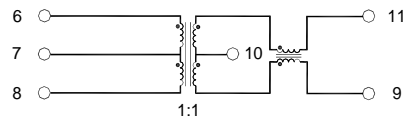
RECEIVE

S31762NL

TRANSMIT

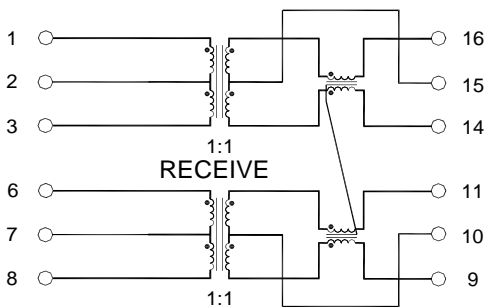


RECEIVE



S31763NL

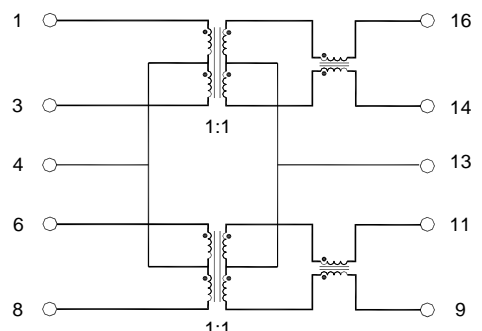
TRANSMIT



RECEIVE

S31764NL

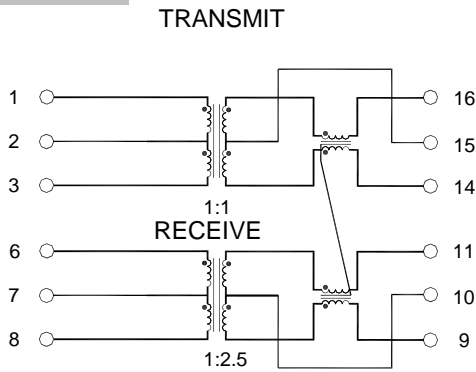
TRANSMIT



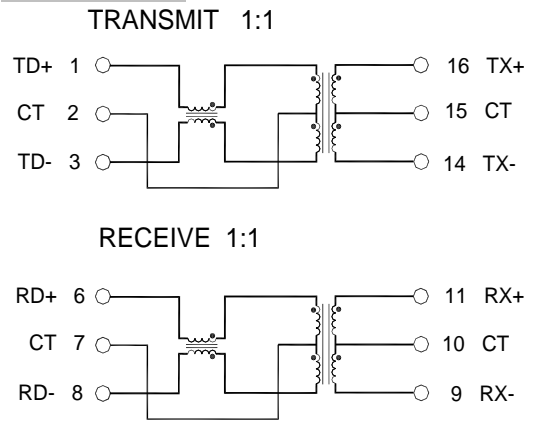
RECEIVE

Schematics

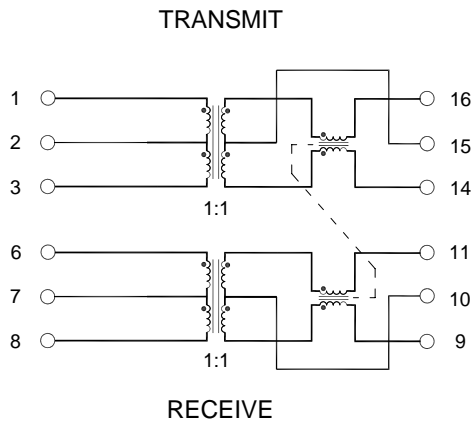
S31781NL



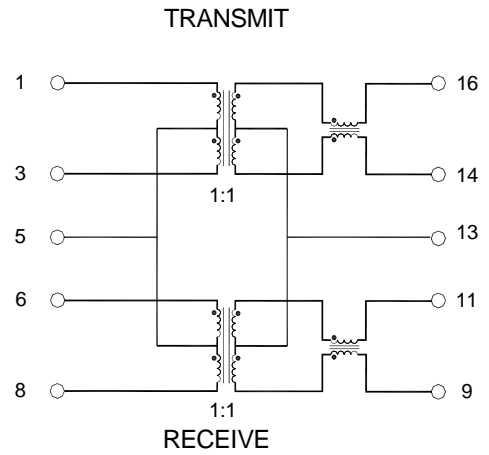
S31784NL



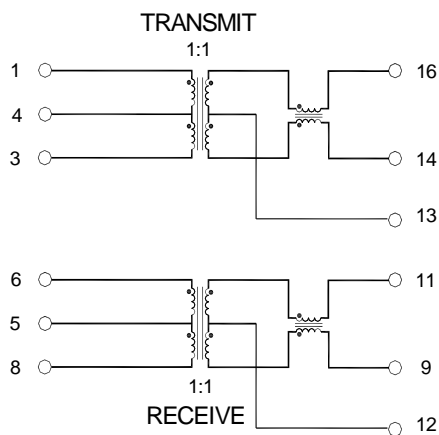
S31790NL



S31798NL



S317103NL



S317110NL

