

### FEATURES

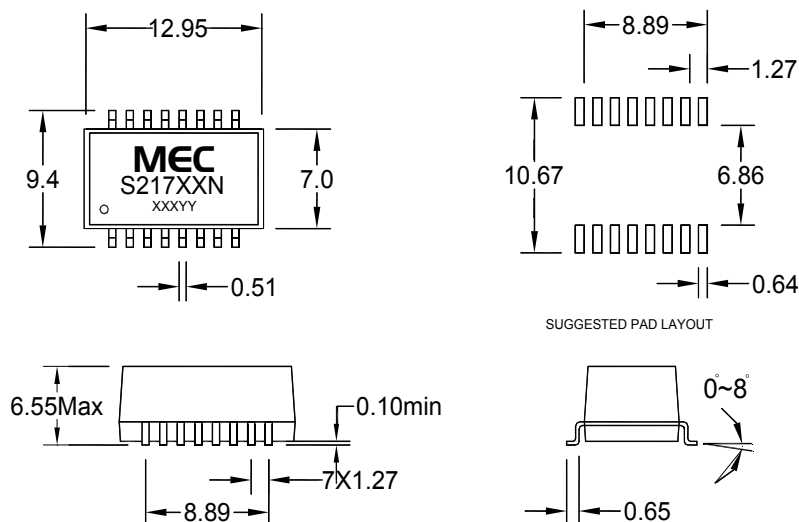
- Designed to meet or exceed IEE802.3 10Base-T specifications
- Available with common mode chokes for EMI Suppression
- Surface mount, IC grade transfer-molded Package withstands 255-265 °C peak temperature profile
- Isolation Voltage : 1500 Vrms



Part Number	Turns Ratio Pri:Sec(± 3%)		OCL Pri (μH MIN)	CWW Pri to sec (pF MAX)	LL Pri's' Sec (μH MAX)	DCR Pri (Ω MAX)
	TX	RX	100 kHz0.1v	100 kHz0.1v	100 kHz0.1v	
S21702N	1:1	1:25	200	15	0.5	0.5
S21705N	1:1	1:1	100	10	0.2	0.35
S21712N	1:1	1:25	200/35	15	0.4/0.12	0.5/0.3
S21718N	1:1	1:25	200	15	0.5	0.4
S21719N	1:1	1:2	200/35	15	0.4	0.5
S21725N	1:1	1:2	200/50	14	0.5	0.6
S21726N	1:2	1:1	200	12	0.3	1.0
S21733N	1:1	1:1	140	12	0.2	0.4
S21734N	1:1	1:1	200	10	0.2	0.3
S21735N	1:1	1:25	350	30	0.8	0.6
S21737N	1:2	1:1	140	12	0.25	0.6
S21748N	1:1414	1:1	140	15	0.2	0.5

- Electrical Specifications @25°C-Operating Temperature 0°C to 70°C.

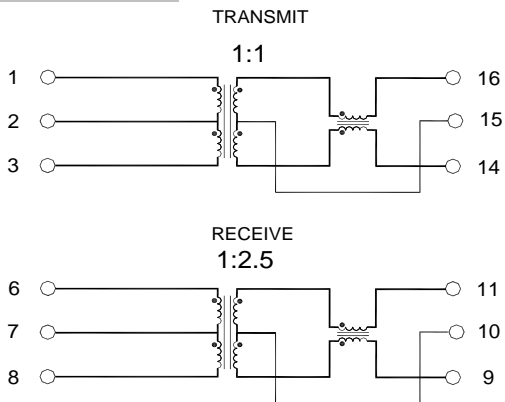
### Mechanicals



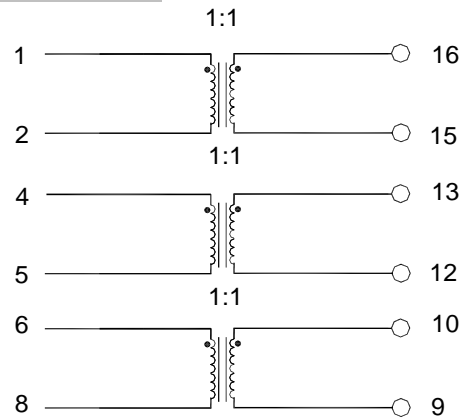
Dimensions : mm Unless otherwise specified . all tolerances are ± 0.25

### Schematics

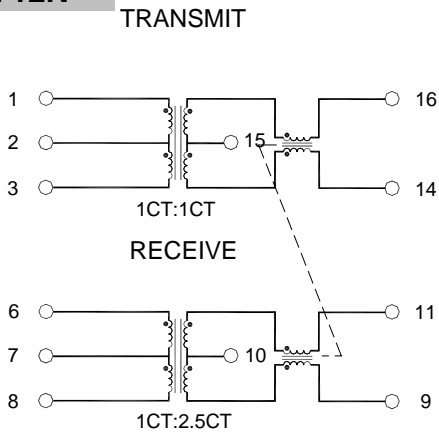
**S21702N**



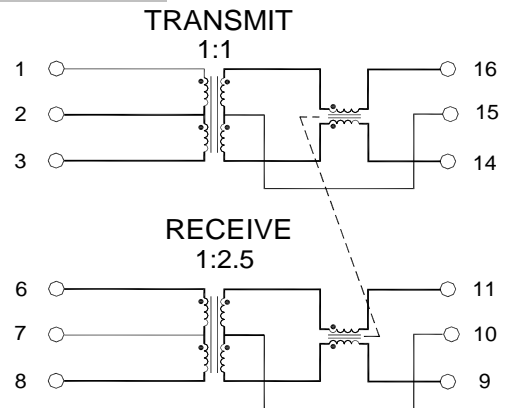
**S21705N**



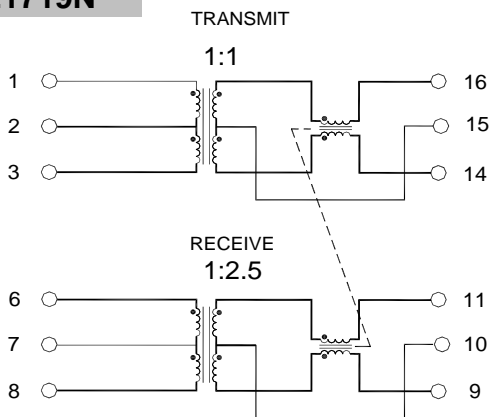
**S21712N**



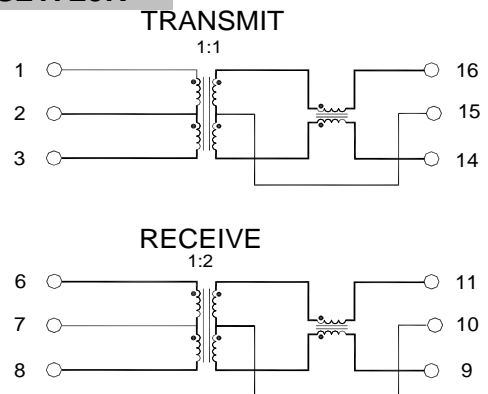
**S21718N**



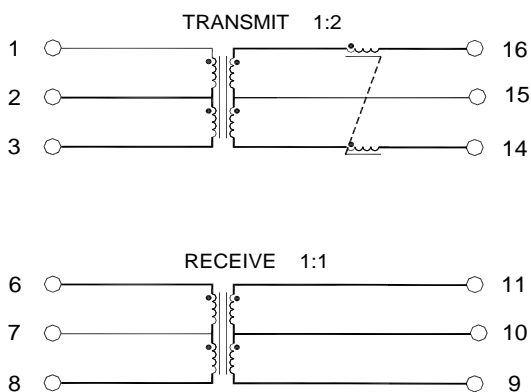
**S21719N**



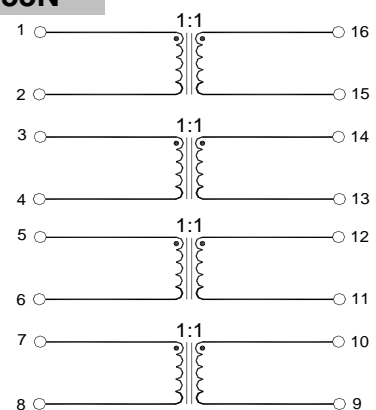
**S21725N**



**S21726N**

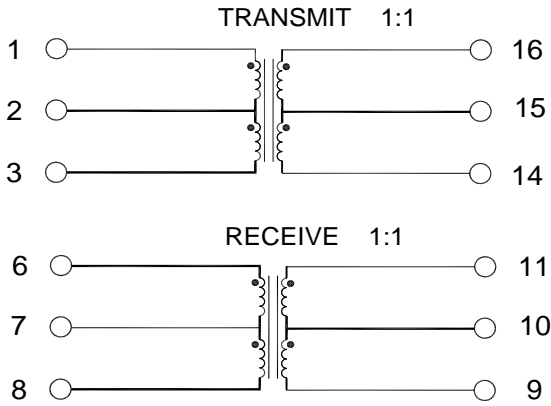


**S21733N**

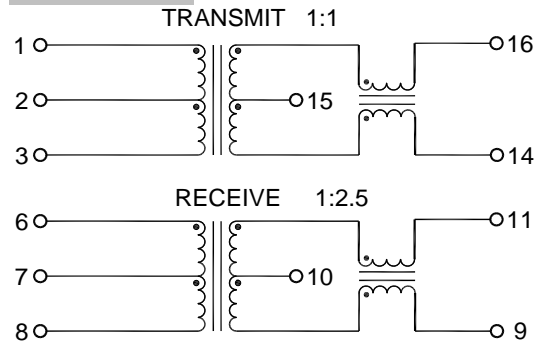


### Schematics

#### S21734N

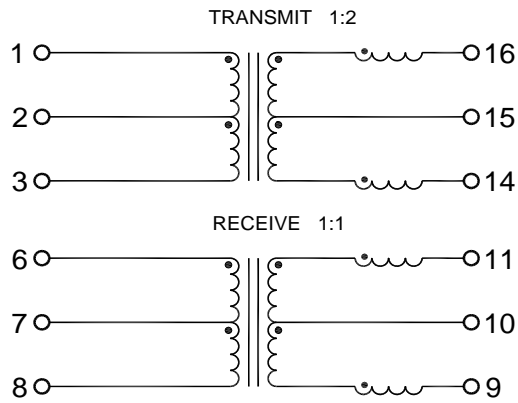


#### S21735N



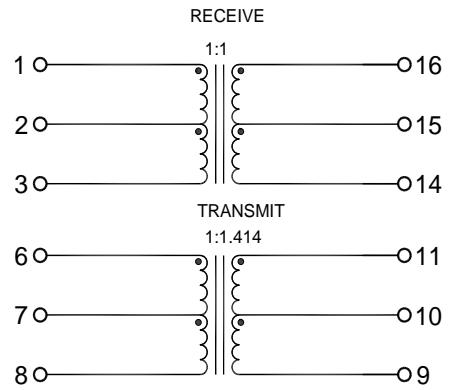
PINS 4,5,12 AND 13 NOT CONNECTED.

#### S21737N



PINS 4,5,12 AND 13 NOT CONNECTED.

#### S21748N



PINS 4,5,12 AND 13 NOT CONNECTED.