

# MEC

MINGSTAR ELECTRONIC CORP.

## 1000 BASE-T SINGLE PORT SURFACE MOUNT MAGNETICS

### FEATURES

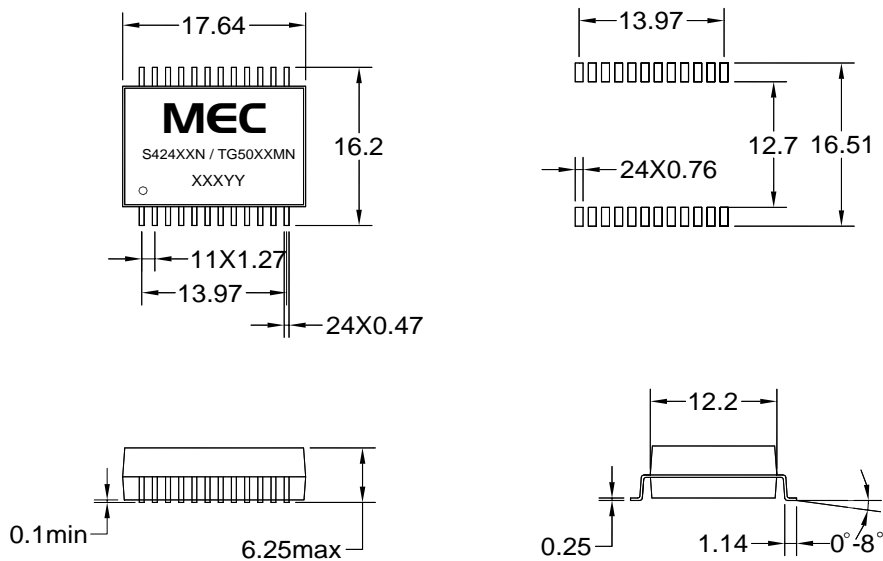
- Compliant with IEEE 802.3ab standards for 1000Base-T
- Including 350  $\mu$  H Min OCL with 8mA DC bias
- Withstands reflow soldering temperature up to 255-265°C
- Isolation Voltage : 1500 Vrms



Part Number	Turns Ratio Pri:Sec( $\pm$ 3%)		Insertion Loss (dB MAX)	Return Loss (dB TYP)			Crosstalk (dB TYP)			Differential to Common Mode Rejection (dB TYP)			Common to common Rejection Ratio (dB TYP)
	TX	RX		0.1~100 MHZ	30 MHZ	60 MHZ	80 MHZ	30 MHZ	60 MHZ	100 MHZ	30 MHZ	50 MHZ	
S42425N	1:1	1:1	-1.1	-18	-14	-12	-40	-38	-32	-43	-37	-33	-30
S42426N	1:1	1:1	-1.1	-18	-14	-12	-40	-38	-32	-43	-37	-33	-30
S42438N	1:1	1:1	-1	-18	-12	-12	-43	-37	-33	-40	-35	-30	-30

- Electrical Specifications @25°C -Operating Temperature 0°C to 70°C.

### Mechanicals



Dimensions:mm Unless otherwise speccified , all tolerances are  $\pm$  0.25

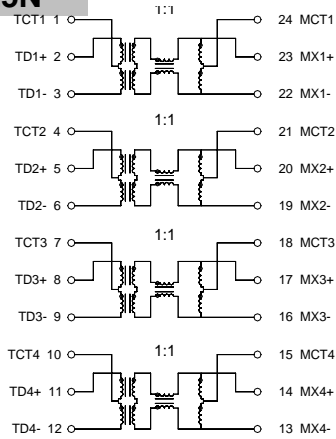
# MEC

MINGSTAR ELECTRONIC CORP.

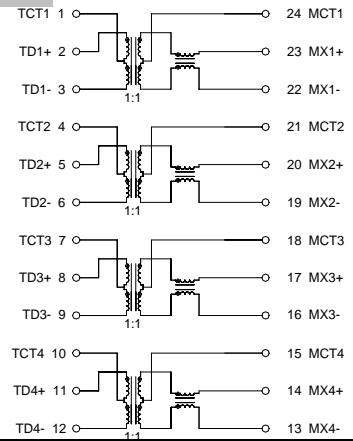
## 1000 BASE-T SINGLE PORT SURFACE MOUNT MAGNETICS

### Schematics

#### S42425N



#### S42426N



#### S42438N

