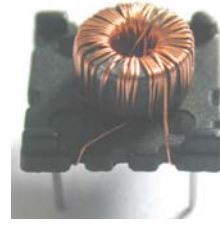


FEATURES

- Improved EMI performance for FCC class B applications
- Line to line isolation: 500 Vrms
- Maximum common mode attenuation at 1MHz
- Well suited for many Telecom applications

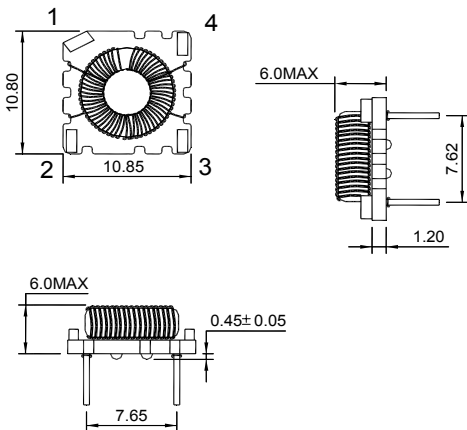


Part Number	Turns Ratio Pri:sec±5%	OCL (mH)	Common Mode Attenuation (dB TYP)			DCR (Ω MAX)
			100KHz/0.1V	10 kHz/0.1V	100KHz	
H60403N	1:1	3.2~6.1	-30	-40	-25	1
H60405N	1:1	3.3~6.1	-30	-40	-25	1

- Electrical Specifications @25°C-Operating Temperature 0°C to 70°C.

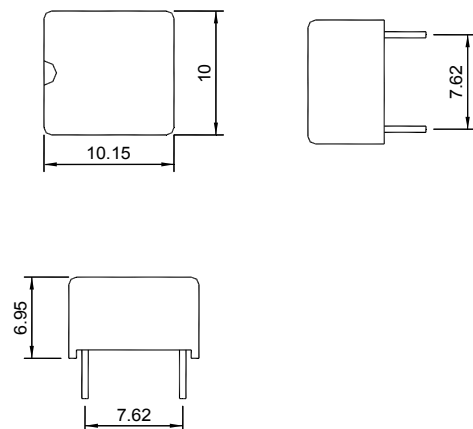
Mechanicals

H60403



Dimensions:mm Unless otherwise specified,
all tolerances are± 0.25

H60405



Dimensions:mm Unless otherwise specified,
all tolerances are± 0.25

Schematics

H60403N

H60405N

