

FEATURES

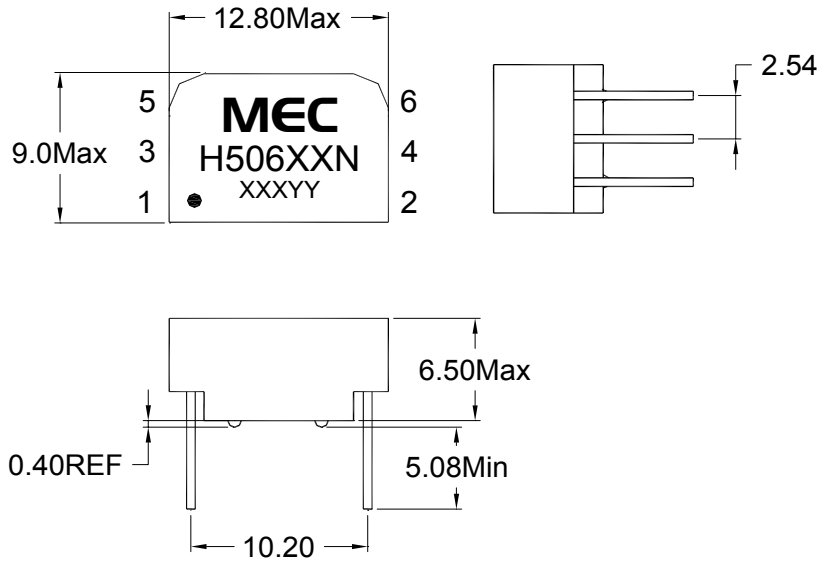
- Extended and standard temperature range
- Dual and single through hole models available
- Models matched to leading transceiver ICs
- Isolation Voltage: 1500 Vrms



Part Number	Turns Ratio Pri:sec±5%	OCL (mH MIN)	Cw/w (pF MAX)	LL (uH MAX)	DCR (Ω MAX)	DCR (Ω MAX)
		100 kHz/0.1V	100KHz/100mV	100KHz/100mV	Pri	Sec
H50606N	1:2	1.2	40	0.5	0.70	1.30
H50607N	1:1	0.2	18	0.3	0.60	0.60
H50608N	1:1	2~3.3	38	0.5	0.80	0.80
H50611N	1:1	1.5	40	0.4	0.70	0.90

- Electrical Specifications @25°C-Operating Temperature 0°C to 70°C.

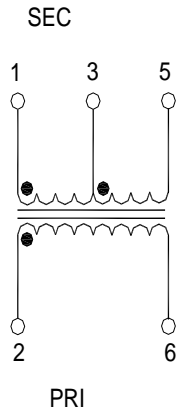
Mechanicals



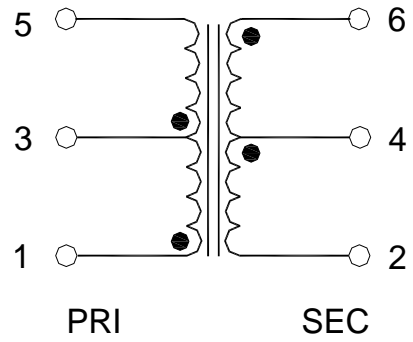
Dimensions:mm Unless otherwise specified,
all tolerances are±0.25

Schematics

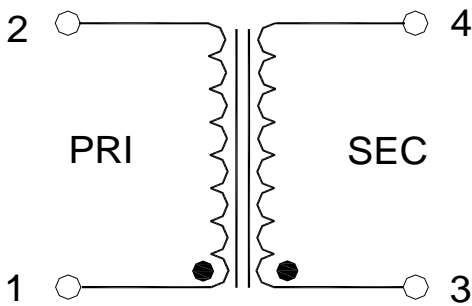
H50606N



H50607N



H50608N



H50611N

