



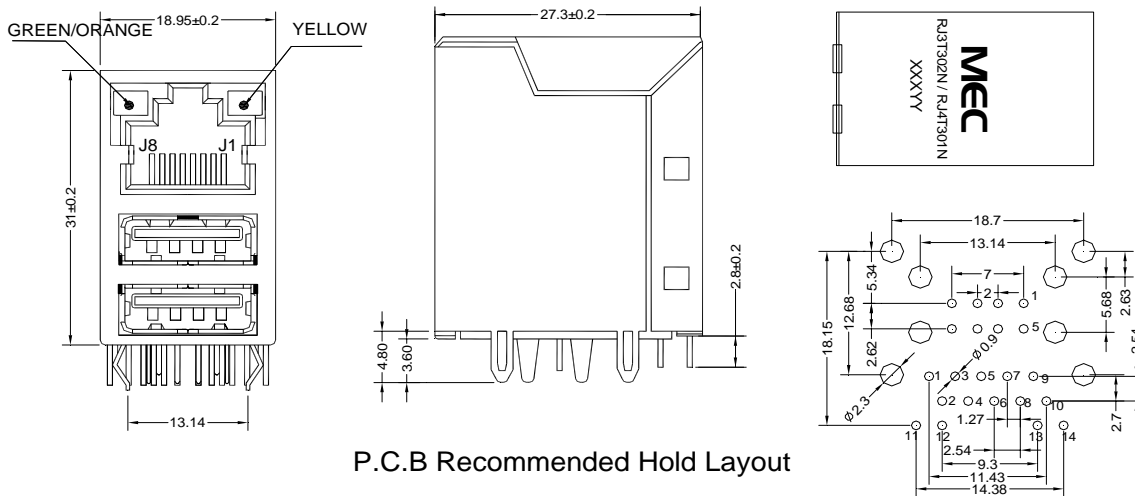
FEATURES

- Meets IEEE 802.3 specification.
- Improved common mode (EMI) performance
- 350 μ H minimum OCL with 8mA bias current.
- Isolation Voltage:1500 Vrms (INPUT to OUTPUT).

Part	Turns Ratio Pri:Sec($\pm 5\%$)		Insertion Loss (dB MAX)	Return Loss (dB TYP)			Crosstalk (dB TYP)			Common to common Rejection Ratio (dB TYP) 1~100 MHZ
	TX	RX		30 MHZ	60 MHZ	80 MHZ	30 MHZ	60 MHZ	80 MHZ	
RJ4T301N	1:1	1:1	-1.0	-18	-16	-12			-30	-33
RJ3T302N	1:1	1:1	-1.0	-18	-16	-12			-30	-33

- Electrical Specifications @25 $^{\circ}$ C -Operating Temperature 0 $^{\circ}$ C to 70 $^{\circ}$ C.

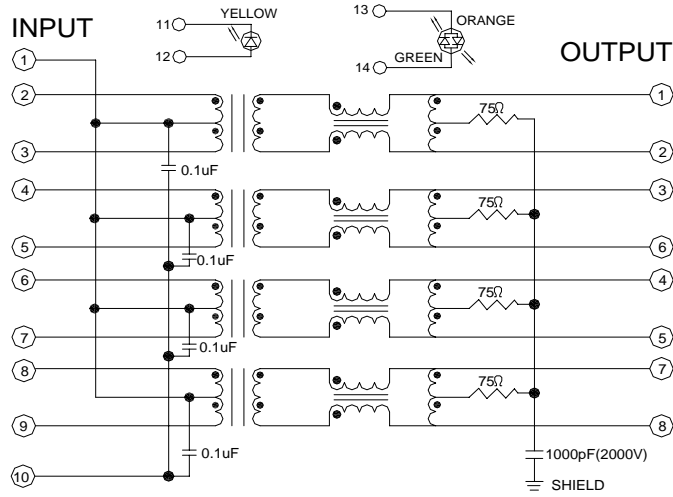
Mechanicals



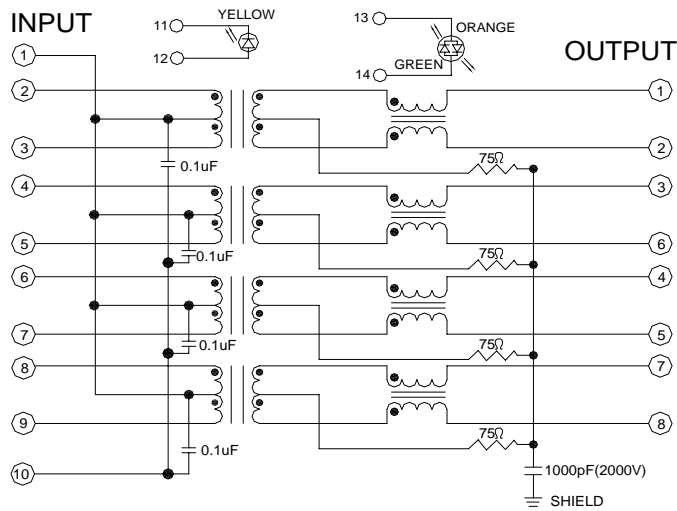
Dimensions: mm Unless otherwise specified, all tolerances $\pm .25$

Schematics

RJ4T301N

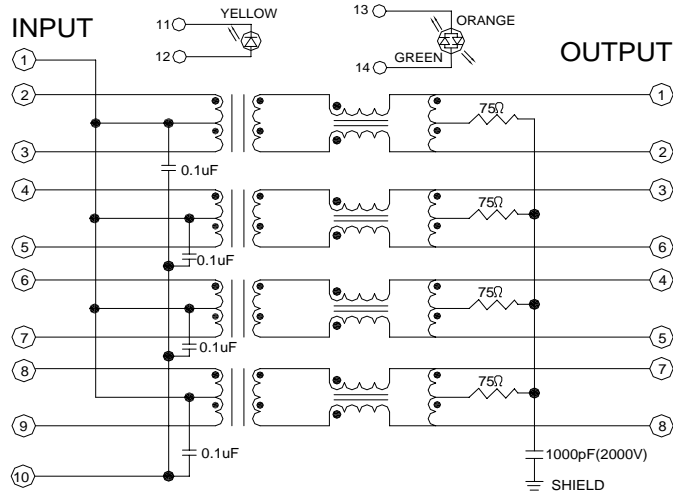


RJ3T302N



Schematics

RJ4T301N



RJ3T302N

