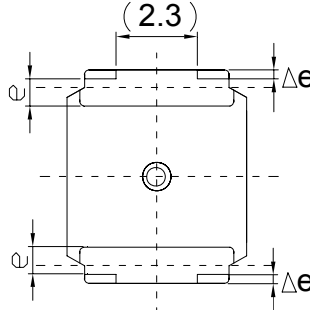
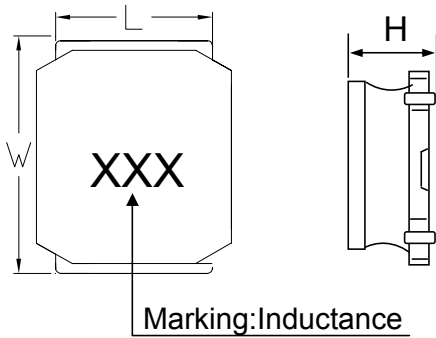


# MEC

MINGSTAR ELECTRONIC CORP.

Ultra Thin SMD Power Inductor



Dimensions:mm

L:6.0±0.2

W:6.0±0.2

H:1.2max

e:1.35±0.2

Δe:0.3±0.2

f:4.0±0.2

## Electrical characteristics

Part Number	Inductance (uH)	DC Resistance (Ω)Max	SRF DCR MHZ(Min)	Rated Current (mA)
UT6012N-2R5M	2.5	0.108	45	1730
UT6012N-4R0N	4.0	0.126	39	1570
UT6012N-5R3M	5.3	0.132	34	1400
UT6012N-6R8M	6.8	0.198	30	1180
UT6012N-100M	10.0	0.2/82	22	1000
UT6012N-150M	15.0	0.396	18	790
UT6012N-220M	22.0	0.636	12	630
UT6012N-330M	33.0	0.840	8	530
UT6012N-470M	47.0	1.260	6	460
UT6012N-680M	68.0	1.620	3	410
UT6012N-101M	100.0	2.616	1	320