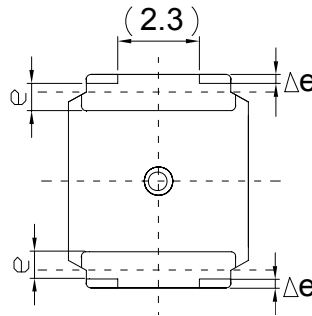
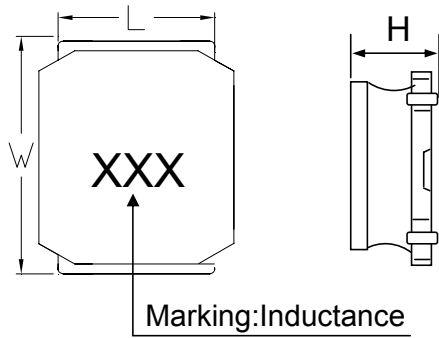


MEC

MINGSTAR ELECTRONIC CORP.

Ultra Thin SMD Power Inductor



Dimensions:mm

- L:6.0±0.2
- W:6.0±0.2
- H:2.0max
- e:1.35±0.2
- Δe:0.3±0.2
- f:4.0±0.2

Electrical characteristics

Part Number	Inductance (uH)	DC Resistance (Ω)Max	SRF DCR MHZ(Min)	Rated Current (mA)
UT6020N-0R8N	0.8	0.0260	110	3800
UT6020N-1R5N	1.5	0.0338	93	3200
UT6020N-2R2N	2.2	0.0442	73	2700
UT6020N-3R3N	3.3	0.0520	55	2600
UT6020N-4R7N	4.8	0.0754	43	2000
UT6020N-6R8N	6.8	0.1105	30	1800
UT6020N-100M	10.0	0.1625	18	1400