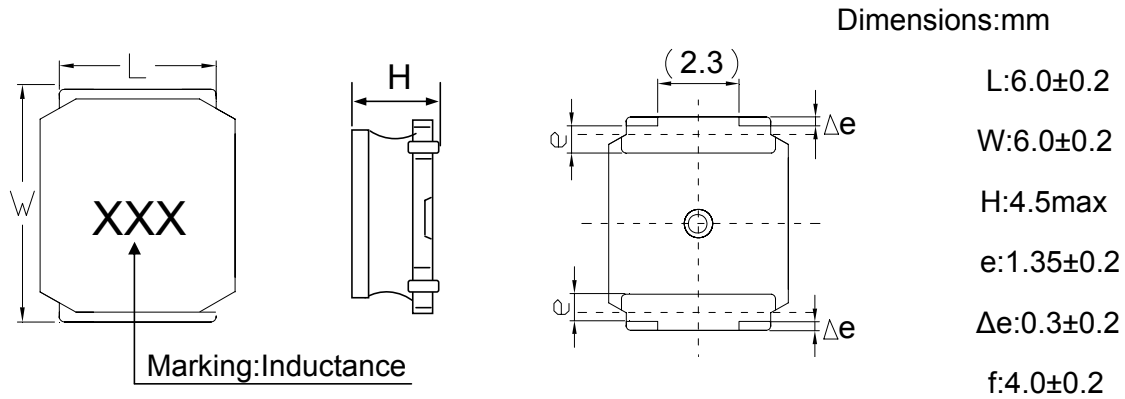


MEC

MINGSTAR ELECTRONIC CORP.

Ultra Thin SMD Power Inductor



Electrical characteristics

Part Number	Inductance (uH)	DC Resistance (Ω)Max	SRF DCR MHZ(Min)	Rated Current (mA)
UT6045N-1R0N	1.0	0.0182	110	4200
UT6045N-1R3N	1.3	0.0208	95	4000
UT6045N-1R8N	1.8	0.0234	80	3700
UT6045N-2R3N	2.3	0.0273	60	3500
UT6045N-3R0N	3.0	0.0312	45	3200
UT6045N-4R5M	4.5	0.0403	25	3000
UT6045N-6R3M	6.3	0.4940	15	2800
UT6045N-100M	10.0	0.0611	12	2500
UT6045N-150M	15.0	0.1001	10	1900
UT6045N-220M	22.0	0.1495	7	1500
UT6045N-330M	33.0	0.1885	6	1400
UT6045N-470M	47.0	0.2860	5	1100
UT6045N-680M	68.0	0.4290	4	900
UT6045N-101M	100.0	0.6500	3	700