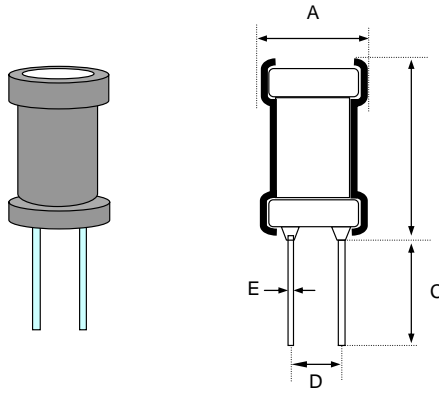


# MEC

MINGSTAR ELECTRONIC CORP.

Radial Choke Coil



DR series

Dimension:mm

ITEM	A	B	C	D	E	F
RL0406N	6.0Max	8.0Max	25.0Max	3.0Max	0.5+0.05	2.0+1.5
RL0608N	7.0Max	10.0Max	25.0Max	3.0Max	0.65+0.05	3.0+1.5
RL0810N	9.0Max	12.5Max	25.0Max	3.0Max	0.65+0.05	5.0+1.5
RL0912N	12.0Max	14.0Max	25.0Max	3.0Max	0.65+0.05	6.0+1.5
RL1010N	13.0Max	13.0Max	25.0Max	3.0Max	0.65+0.05	6.0+1.5
RL1415N	16.0Max	18.0Max	25.0Max	4.0Max	0.8+0.05	7.5+1.5
RL1618N	18.0Max	21.0Max	25.0Max	4.0Max	0.8+0.05	7.5+1.5

**MATERIALS:**

- Core: Ferrite Core
- Insulation coating: Epoxy Resin
- Wire: Polyurethane Enameled Wire
- Lead: Tinned Copper Wire
- Outer: UL Sleeve  
PVC Sleeve  
Clear epoxy coating

- Axial lead available
- Dimensions are approximation
- Design per customer's request