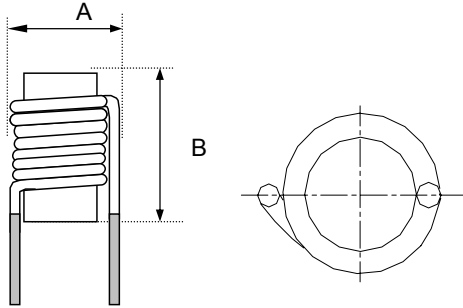
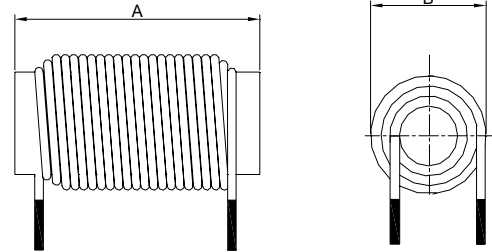


IPB系列



IPA系列



IPB系列尺寸

Item	A	B	Item	A	B
IPB0415	4.0	15.0	IPB0620	6.0	20.0
IPB0420	4.0	20.0	IPB0625	6.0	25.0
IPB0520	5.0	20.0	IPB0630	6.0	30.0
IPB0525	5.0	25.0	IPB0635	6.0	35.0
IPB0530	5.0	30.0	IPB0820	8.0	20.0
IPB0615	6.0	15.0	IPB0830	8.0	30.0

Electrical characteristics

Part Number	Inductance (uH)	Tolerance	Rated Current (Amp)	DC Resistance (mΩ)Max
IPB0520-120M	12.0	±20	2.3	44.0
IPB0520-150M	15.0	±20	1.9	60.0
IPB0630-4R7M	4.7	±20	16.0	5.0
IPB0630-5R6M	5.6	±20	16.0	6.0
IPB0630-470K	47.0	±10	1.9	1.1
IPB0420-5R0M	5.0	±20	3.0	10.0
IPB0520-2R4M	2.4	±20	12.0	4.0
IPB0525-2R0M	2.0	±20	14.0	4.0
IPB0625-100M	10.0	±20	5.0	15.0
IPB0630-100M	10.0	±20	10.0	10.0

Test Equipment:

Inductance:200KHz/0.25V at WK3260B.

DC Resistance:WK3260B Milliohms Meter.

DC Bias: TH2816B+1320.