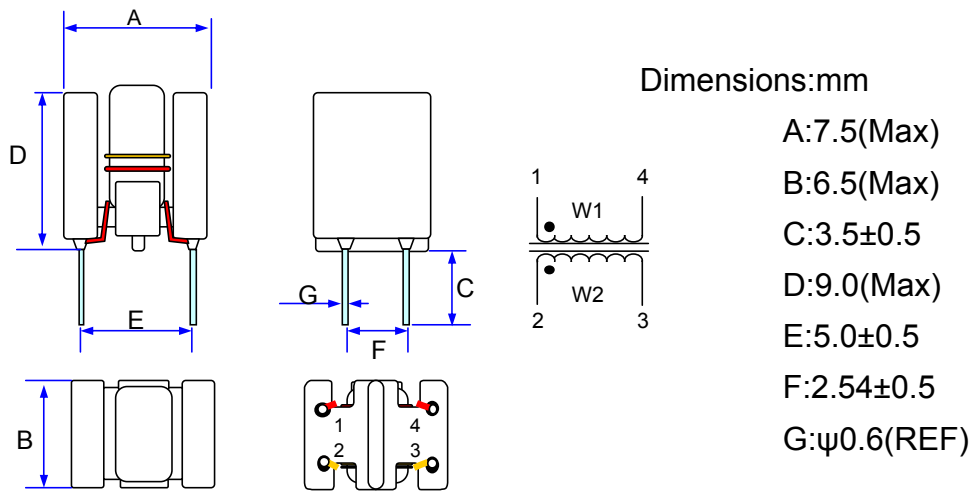


MEC

MINGSTAR ELECTRONIC CORP.

Common Mode Choke



Electrical characteristics

Model	Rated current (mA)Max	Impedance @100MHz (Ω)Min	DC Resistance (Ωm)Max
BCB2YN-150	500	200	45
BCB2YN-400	500	600	45
BCB2YN-600	500	800	55
BCB2YN-800	500	1200	55